

QUALIFICATION HONOR 资质荣誉

多年来，高顿阀门秉承“诚信、品质、服务”的经营理念，专业完善的质量保障体系，确保了高顿阀门的品牌生命力，加速了品牌的推动力。

For many years, Gaodun Valve has adhered to the business philosophy of "integrity, quality, and service". A professional and comprehensive quality assurance system, Ensuring the brand vitality of Gaodun Valve and accelerating the brand's driving force.

APPLICATION AREA 应用领域

产品广泛应用于 The product is widely used in

Heating supply	供热
Petroleum	石油
Chemical industry	化工
Natural gas	天然气
Light industry	轻工
Power	电力
Pharmacy	制药
Printing and dyeing	印染
Metallurgy	冶金
Architectural engineering	建筑工程
Refrigeration	制冷
Water supply	供水
New energy, etc	新能源等

浙江高顿阀门有限公司 CGDV ZHEJIANG GAODUN VALVE CO., LTD

地址：浙江省温州市温州湾新区星海街道滨海六道838号、滨海十一路1345号1号厂房一层D单元
电话：17867871159 | 13587679260
邮箱：gd@gaodun-valve.com
传真：0577-86908859
网址：www.gaodun-valve.com

Address: Unit D, 1st Floor, Building 1, No. 838 Binhai 6th Road and No. 1345 Binhai 11th Road, Xinghai Street, Wenzhou Bay New Area, Wenzhou City, Zhejiang Province
Phone: +86-17867871159 | +86-13587679260
Email: gd@gaodun-valve.com
Fax: +86-577-86908859
Website: www.gaodun-valve.com

Адрес: город Вэньчжоу, провинция Чжэцзян, новый район Вэньчжоу Ван, улица Синхай, приморская шестая дорога, 838, приморская одиннадцатая дорога, 1345, завод № 1, этаж D
Тел.: +86-17867871159 | +86-13587679260
Почтовый ящик: gd@gaodun-valve.com
Факс: +86-577 - 86908859
Сайт: www.gaodun-valve.com



CGDV® 高顿阀门



全焊接球阀专业制造商 PROFESSIONAL MANUFACTURER OF FULLY WELDED BALL VALVES

TS 球阀特种设备制造企业

ISO9001质量体系认证企业

COMPANY PROFILE 公司简介

浙江高顿阀门有限公司 Zhejiang Gaodun Valve Co., Ltd

浙江高顿阀门有限公司是一家集研发、制造、加工、销售服务于一体的阀门企业。经过多年的艰苦奋斗、务实拼搏、开拓创新，实现了企业持续健康发展。公司拥有大型精良的加工设备、领先的生产技术、先进的制造工艺、完善的检验设施及检测手段，保证了产品的高质量。

主导产品 Leading products

企业主要产品有（国标/美标）蝶阀、闸阀、截止阀、球阀、止回阀、过滤器、气动电动阀门及流体设备等10余大类，共1000多个型号规格。阀体材质有不锈钢、碳钢、合金钢、超低温不锈钢、钛合金、高镍合金和蒙乃尔合金等；生产阀门最大口径1600mm，最高工作温度700摄氏度，最低工作温度-196摄氏度。产品广泛应用于石油、化工、冶金、电力等行业，并出口欧美、俄罗斯、非洲、东南亚、中东和日本等国家和地区，产品质量稳定可靠，深受用户好评。

公司宗旨 Company purpose

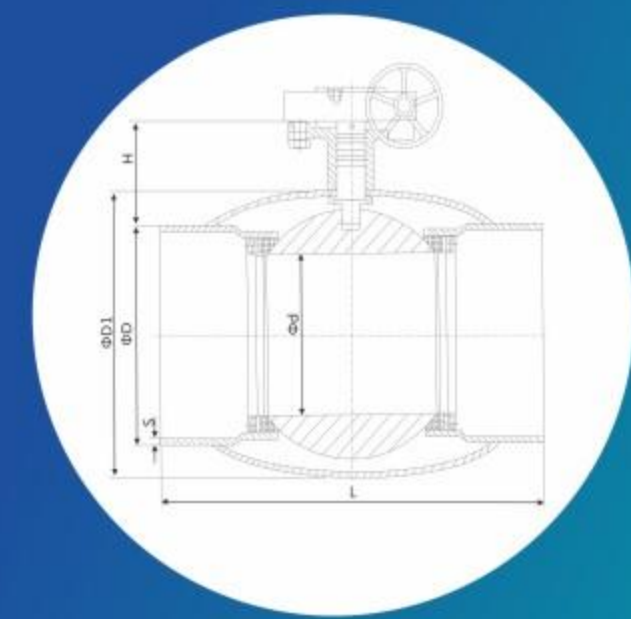
用高质量的产品奉献社会。我们的工作目标是使用户满意。我们的质量方针是：满足用户对产品质量的需求和期望，跃升完善的质量管理水平，制造优良的产品，创造高效的服务，产品永远实行三包。浙江高顿阀门有限公司愿与新老朋友、社会同仁同行、国内外用户，再度携手，再上一层楼，再创新辉煌！

Zhejiang Gaodun Valve Co., Ltd. is a valve enterprise integrating R&D, manufacturing, processing, sales and service. After years of hard work, pragmatic hard work, pioneering and innovative, the company has achieved sustainable and healthy development. The company has large-scale sophisticated processing equipment, leading production technology, advanced manufacturing technology, complete inspection facilities and testing methods to ensure the high quality of products.

The company's main products include (national standard/American standard) butterfly valves, gate valves, globe valves, ball valves, check valves, filters, pneumatic electric valves and fluid equipment, and more than 10 categories, with a total of more than 1,000 models and specifications. The valve body is made of stainless steel, carbon steel, alloy steel, ultra-low temperature stainless steel, titanium alloy, high nickel alloy and Monel alloy, etc. The maximum diameter of the produced valve is 1600mm, the maximum operating temperature is 700 degrees Celsius, and the minimum operating temperature is -196 degrees Celsius. The products are widely used in petroleum, chemical, metallurgy, electric power and other industries, and are exported to Europe, America, Russia, Africa, Southeast Asia, the Middle East, Japan and other countries and regions. The product quality is stable and reliable and is well received by users.

Dedicate to society with high-quality products. Our work goal is to satisfy users. Our quality policy is to meet the needs and expectations of users for product quality, improve our quality management level, manufacture excellent products, create efficient services, and always implement the three guarantees for our products. Zhejiang Gaodun Valve Co., Ltd. is willing to work together with new and old friends, colleagues in society, and domestic and foreign users to reach new heights and create brilliance again!





FULLY WELDED BALL VALVE SERIES 全焊接球阀系列

公称口径:
DN10-DN1600mm

工作压力:
1.0MPa~16.0MPa/150Lb~1500Lb/10K~160K

工作温度:
-196°C~816°C

采用标准: GB, DIN, API, ANSI, JIS, BS等。

产品材料:
WCB, A105, LCB, LF2, WC6, F11, WC9,
CF8, F304, CF8M, F316, CF3, F304L, CF3M,
F316L, CF8C, 4A, F51, 5A, F53, Inconel,
Monel, 2205, 2507, 904L, 铜合金, 钛合金,
哈氏合金, 镍合金等。

驱动方式:
手动, 蜗轮传动, 伞齿轮, 电动, 气动, 液动等。

Nominal diameter:
DN10-DN1600mm

Working pressure:
1.0MPa~16.0MPa/150Lb~1500Lb/10K~160K

Working temperature:
-196 °C to 816 °C

Applicable standards:
GB, DIN, API, ANSI, JIS, BS, etc.

Product materials: WCB, A105, LCB, LF2, WC6,
F11, WC9, CF8, F304, CF8M, F316, CF3, F304L,
CF3M, F316L, CF8C, 4A, F51, 5A, F53, Inconel,
Monel, 2205, 2507, 904L, copper alloy, titanium
alloy, Hastelloy alloy, nickel alloy, etc.

Driving method:
Manual, worm gear transmission, bevel gear,
electric, pneumatic, hydraulic, etc.



直埋式天然气全焊接球阀
Directly buried natural gas fully welded ball valve



放散型全焊接球阀
Release type fully welded ball valve



直埋放散型全焊接球阀
Directly buried release type fully welded ball valve



直埋放散型全焊接球阀
Directly buried release type fully welded ball valve



直埋式加高带放散型全焊接球阀
Directly buried raised with release type fully welded ball valve



大口径锻钢全焊接球阀
Large diameter forged steel fully welded ball valve



法兰式供暖全焊接球阀
Full welded ball valve for flange heating



大口径标准型全焊接球阀
Large caliber standard fully welded ball valve



固定式供暖全焊接球阀
Fixed heating fully welded ball valve



过滤网全焊接球阀
Filter screen fully welded ball valve



球型焊接球阀
Ball welded ball valve



涡轮式焊接球阀
Turbine welded ball valve



电动焊接球阀
Electric welded ball valve



方体固定涡轮球阀
Square fixed turbine ball valve



静态平衡阀 (W球口)
Static balance valve (W ball port)



加高型涡轮传动全焊接球阀
Elevated turbine drive fully welded ball valve



蜗轮传动固定式全焊接球阀
Worm gear transmission fixed fully welded ball valve



偏心半球阀
Eccentric hemispherical valve



上装式偏心半球阀
Top mounted eccentric hemispherical valve

CGDV® 高顿阀门

BALL VALVE SERIES 球阀系列

CGDV® 高顿阀门

FORGED STEEL VALVE SERIES 锻钢阀门系列

CGDV® 高顿阀门



气动法兰球阀
Pneumatic flange ball valve



电动锻钢球阀
Electric forged steel ball valve



电动三通球阀
Electric three-way ball valve



气动法兰球阀
Pneumatic flange ball valve



电动法兰球阀
Electric flange ball valve



电动三通法兰球阀
Electric 3-way flange ball valve



大口径法兰球阀
Large diameter flange ball valve



电动高平台法兰球阀
Electric high platform flange ball valve



固定球阀
Trunnion mounted ball valve



氧气专用球阀
Oxygen dedicated ball valve



国标法兰球阀
GB flanged ball valve



蜗轮锻钢球阀
Worm gear forged steel ball valve



三通球阀
Three way ball valve



高平台V型球阀
High platform V-shaped ball valve



国标锻钢固定球阀
GB forged steel fixed ball valve



美标两片式法兰球阀
API 2PC flanged ball valve



美标三片式承插球球阀
API 3PC socket weld ball valve



国标两片式法兰球阀
GB 2PC flanged ball valve



国标三片式法兰球阀
GB 3PC flanged ball valve

THREADED VALVE SERIES 丝扣阀门系列



一片式球阀
1PC ball valve



二片式丝扣球阀
2PC threaded ball valve



三片式丝扣球阀
3PC threaded ball valve



三片式碳钢球阀
3PC carbon steel ball valve



三片式高平台球阀
3PC high platform ball valve



二片式高平台球阀
2PC high platform ball valve



三片式高平台法兰球阀
3PC high platform flange ball valve



三通高平台球阀
3-way high platform ball valve



丝扣闸阀
Thread gate valve



丝扣截止阀
Screw thread globe valve



国标丝扣截止阀
GB threaded globe valve



丝扣止回阀
Thread check valve



丝扣立式止回阀
Screw thread vertical check valve



丝扣Y型过滤器
Thread Y-shaped filter



丝扣排气阀
Screw exhaust valve

